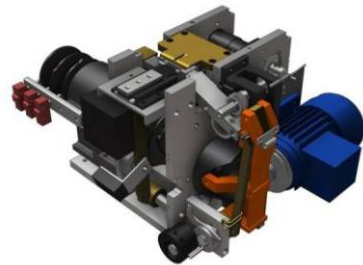


AUTOMATIC OFF-LINE STRAPPING MACHINE

MODEL: MB -1



A Robust designed model for standalone strapping machine for PP strap varying from 9 to 15 mm width and offers best cost performance ratio.



Main Features

1. Robust and reliable strapping head
2. Faster response time and strapping speed
3. User friendly adjustment and operation
4. Separate tool kit for easy maintenance
5. Heavy duty heater



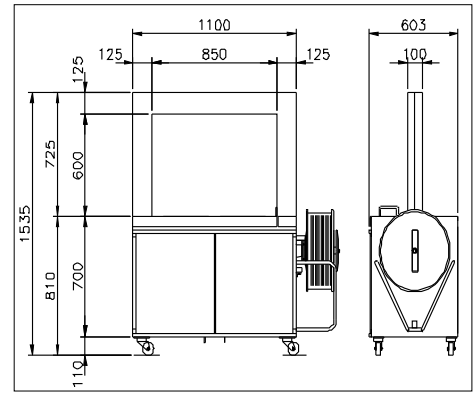
Benefits

1. Easy loading and unloading of strap
2. Caster wheels for easy shop floor movement
3. Low maintenance cost
4. Tension controller inside the machine
5. Smoke exhaust system



Specifications and options

1. Various Operating Method: Three ways to operate the machine: Start button, table top switch and foot pedal switch.
2. Optional Ball Table Top for product weight more than 40 KG
3. Optional auto strap feeding mechanism

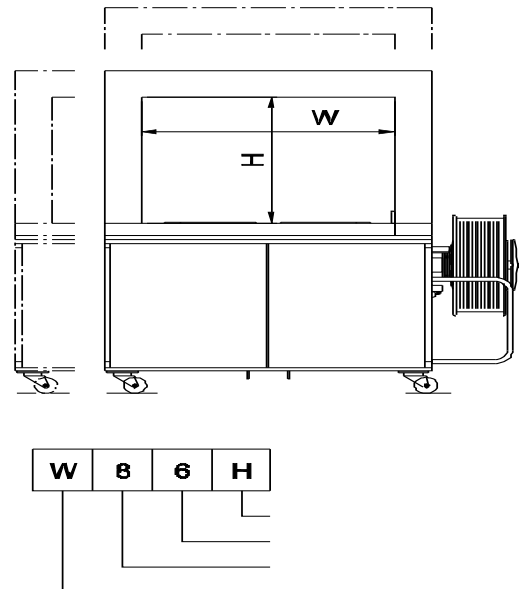


Power Supply	:	Three Phase, 415±5%V, 50Hz
P.P Strap Width	:	9mm / 12mm / 15mm
Strapping Tension	:	0.5 to 70 Kgs
Strapping Speed	:	2.4 sec/per cycle; 1500cycle/per hour (speed may vary based on arch size)
Min Pack Size	:	100 (W) x 30 (H) (mm)
Max. Package Size	:	According to the arch size
Machine Size (LxWxH)	:	* (L)1390 x (W)603 x * (H)1535 (mm)
Net Weight / Gross Weight	:	* 250kgs / 330kgs
Working Height	:	810 (mm)
Control Logic Type	:	Relay logic
Power Consumption	:	0.85 KW
Colour	:	RAL 6000

Available Arch Sizes

H \ W	650	850	1050	1250	1450	1650	1850	2050	..
400	*	*	*	*	*	*	☆	☆	..
600	*	S	*	*	*	*	☆	☆	..
800	*	*	*	*	*	☆	☆	☆	..
1000	*	*	*	*	☆	☆	☆	☆	..
1200	*	*	*	☆	☆	☆	☆	☆	..
1400	*	*	☆	☆	☆	☆	☆	☆	..
1600	☆	☆	☆	☆	☆	☆	☆	☆	..
1800	☆	☆	☆	☆	☆	☆	☆	☆	..
2000	☆	☆	☆	☆	☆	☆	☆	☆	..
2200	☆	☆	☆	☆	☆	☆	☆	☆	..
2400	☆	☆	☆	☆	☆	☆	☆	☆	..
.	☆	☆	☆	☆	☆	☆	☆	☆	..

- S :The standard model
 * :Made to order
 ☆ : Made to order. The arch motor is required



Signode India Limited
 Email: info@signodeindia.com
 URL: www.signodeindia.com